



Thermo Scientific Matrix[®] Microplate Data Sheet

Thermo Scientific Matrix 96-Well Polystyrene V Bottom Microplates

Technical Specifications

Item no.	Sterile	Description	Surface Properties
4913		Clear	Medium binding
4914	●	Clear	Medium binding

Plate Parameters

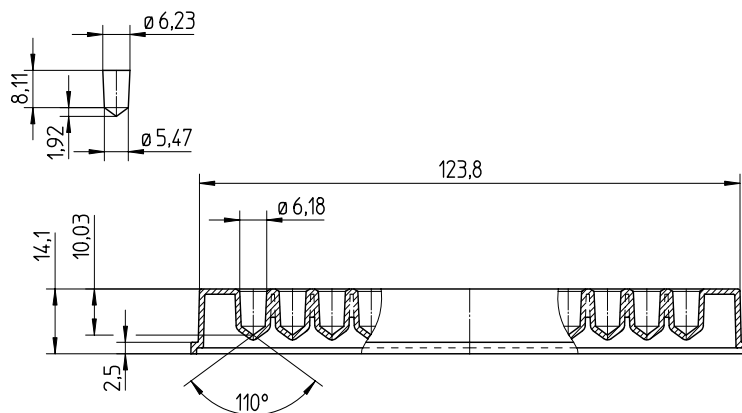
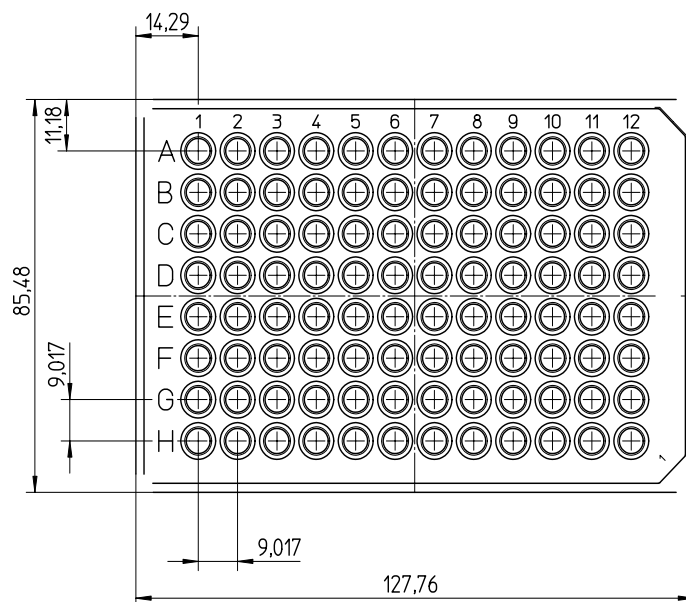
Composition:	Polystyrene
Well bottom:	V
Well shape:	Cylindrical

Dimensions (mm)

Bottom length:	127.76
Top length:	123.8
Corner well center from short sides:	11.18
Bottom width:	85.48
Corner well center from long sides:	14.29
Total height:	14.1
Distance between cell centers:	9.017
Internal well dimensions – top:	6.18
Internal well bottom angle:	110°
Well depth:	10.3
Maximum volume:	230 µl
Working volume:	30 µl-180 µl

Packaging

4 sleeves of 20 plates per case; Total of 80 plates



All dimensions are in millimeters.

© 2008 Thermo Fisher Scientific Inc. All rights reserved. All trademarks are the property of Thermo Fisher Scientific Inc. and its subsidiaries.

North America: Tel: 800.345.0206 | email: matrix.info@thermofisher.com

Europe: Tel: +44 (0) 161 486 2110 | email: matrix.eu.info@thermofisher.com

Asia: email: matrix.ap.info@thermofisher.com

www.thermo.com/matrix

P-2007-0074