



# Thermo Scientific Matrix<sup>®</sup> Microplate Data Sheet

## Thermo Scientific Matrix 1536-Well Polystyrene Flat Bottom High-Gate Microplates

### Technical Specifications

Item no.	Sterile	Description	Surface Properties
4511B		Clear	Medium binding
4512B		White	Medium binding
4515B		Black	Medium binding
4514B		White/Clear bottom	Medium binding
4517B		Black/Clear bottom	Medium binding

### Plate Parameters

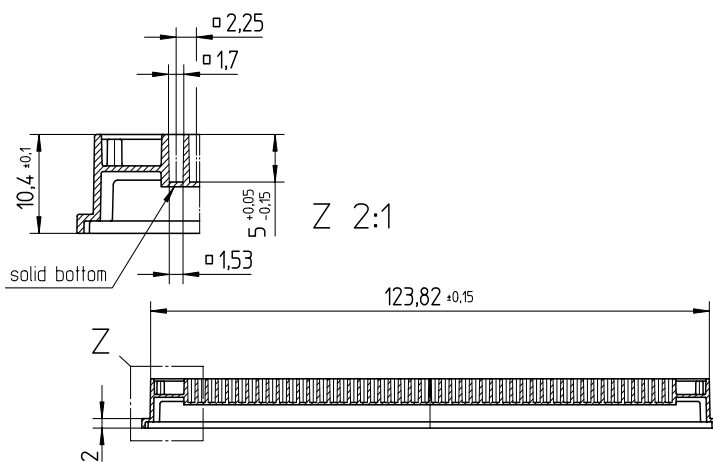
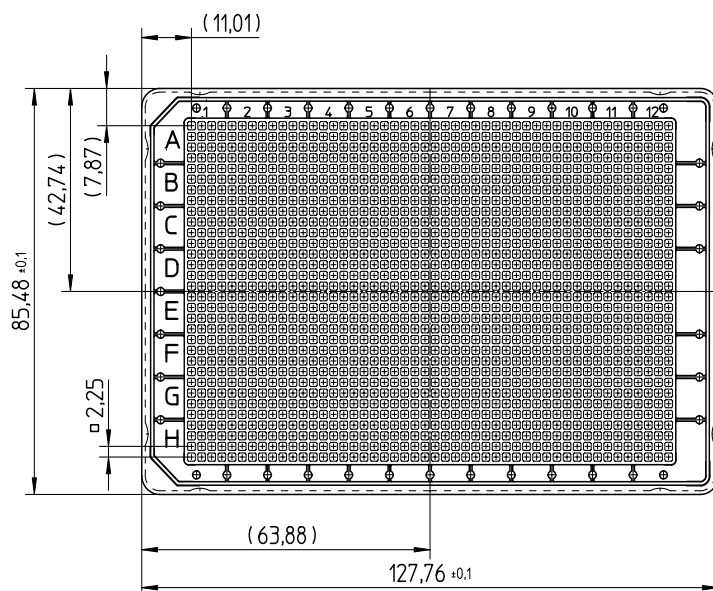
Composition:	Polystyrene
Well bottom:	Flat
Well shape:	Square-round

### Dimensions (mm)

Bottom length:	127.76
Top length:	123.82
Corner well center from short sides:	7.87
Bottom width:	85.48
Corner well center from long sides:	11.01
Total height:	10.4
Distance between cell centers:	2.25
Internal well dimensions – top:	1.7
Internal well dimensions – bottom:	1.53
Well depth:	5.0
Maximum volume:	12 µl
Working volume:	1 µl-10 µl

### Packaging

15 plates per case



All dimensions are in millimeters.

© 2008 Thermo Fisher Scientific Inc. All rights reserved. All trademarks are the property of Thermo Fisher Scientific Inc. and its subsidiaries.

North America: Tel: 800.345.0206 | email: matrix.info@thermofisher.com

Europe: Tel: +44 (0) 161 486 2110 | email: matrix.eu.info@thermofisher.com

Asia: email: matrix.ap.info@thermofisher.com

www.thermo.com/matrix

P-2007-0074

**Thermo**  
SCIENTIFIC