



# Thermo Scientific Matrix<sup>®</sup> Microplate Data Sheet

## Thermo Scientific Matrix 384-Well Polypropylene V Bottom Microplates

### Technical Specifications

Item no.	Sterile	Description	Surface Properties
4305	●	White	Low binding
4306	●	Black	Low binding
4307		White	Low binding
4308		Black	Low binding
4309	●	Clear	Low binding
4312		Clear	Low binding

### Plate Parameters

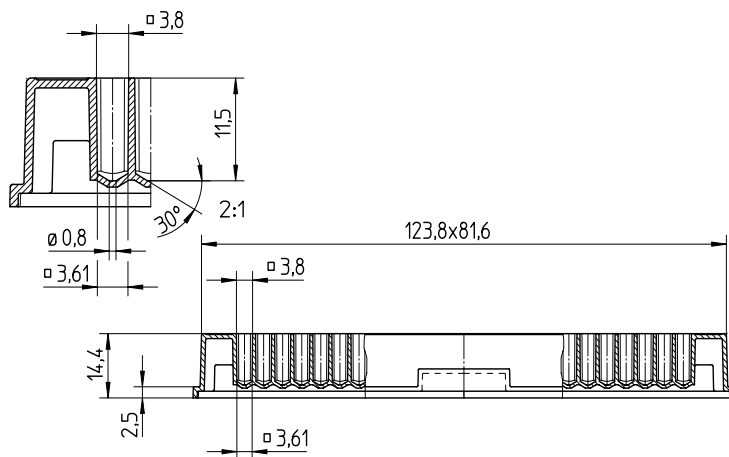
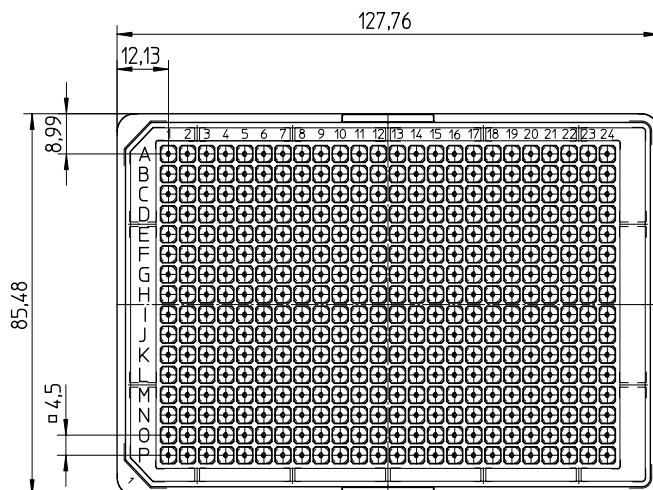
Composition:	Polypropylene
Well bottom:	V
Well shape:	Square-round

### Dimensions (mm)

Bottom length:	127.76
Top length:	123.3
Corner well center from short sides:	8.99
Bottom width:	85.48
Corner well center from long sides:	12.13
Total height:	14.4
Distance between cell centers:	4.5
Internal well dimensions – top:	3.8
Internal well dimensions – bottom:	3.61
Well depth:	11.75
Maximum volume:	145 µl
Working volume:	4 µl-120 µl

### Packaging

8 sleeves of 10 plates per case; Total of 80 plates



All dimensions are in millimeters.

© 2008 Thermo Fisher Scientific Inc. All rights reserved. All trademarks are the property of Thermo Fisher Scientific Inc. and its subsidiaries.

North America: Tel: 800.345.0206 | email: [matrix.info@thermofisher.com](mailto:matrix.info@thermofisher.com)

Europe: Tel: +44 (0) 161 486 2110 | email: [matrix.eu.info@thermofisher.com](mailto:matrix.eu.info@thermofisher.com)

Asia: email: [matrix.ap.info@thermofisher.com](mailto:matrix.ap.info@thermofisher.com)

[www.thermo.com/matrix](http://www.thermo.com/matrix)

P-2007-0074