



Thermo Scientific Matrix[®] Microplate Data Sheet

Thermo Scientific Matrix 384-Well Polypropylene Flat Bottom Microplates

Technical Specifications

Item no.	Sterile	Description	Surface Properties
4314		Clear	Low binding
4315	●	Clear	Low binding

Plate Parameters

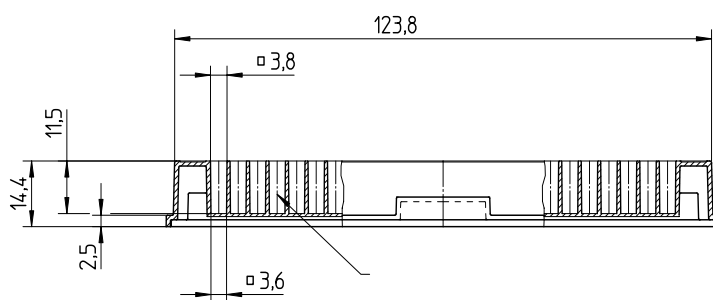
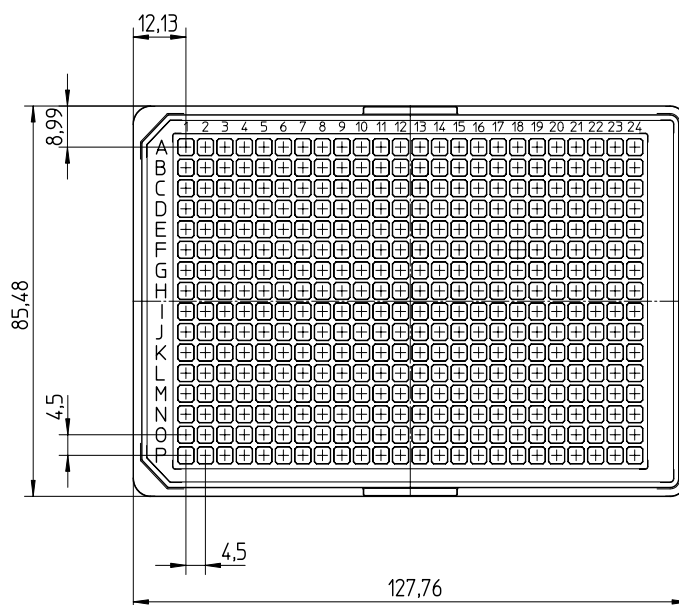
Composition:	Polypropylene
Well bottom:	Flat
Well shape:	Square

Dimensions (mm)

Bottom length:	127.76
Top length:	123.8
Corner well center from short sides:	8.99
Bottom width:	85.48
Corner well center from long sides:	12.13
Total height:	14.4
Distance between cell centers:	4.5
Internal well dimensions – top:	3.8
Internal well dimensions – bottom:	3.6
Well depth:	11.5
Maximum volume:	150 µl
Working volume:	15 µl-130 µl

Packaging

8 sleeves of 10 plates per case; Total of 80 plates



All dimensions are in millimeters.

© 2008 Thermo Fisher Scientific Inc. All rights reserved. All trademarks are the property of Thermo Fisher Scientific Inc. and its subsidiaries.

North America: Tel: 800.345.0206 | email: matrix.info@thermofisher.com

Europe: Tel: +44 (0) 161 486 2110 | email: matrix.eu.info@thermofisher.com

Asia: email: matrix.ap.info@thermofisher.com

www.thermo.com/matrix

P-2007-0074