



Thermo Scientific Matrix[®] Microplate Data Sheet

Thermo Scientific Matrix 96-Well Polypropylene 2 ml Microplates

Technical Specifications

Item no.	Sterile	Description	Surface Properties
4221		Clear	Low binding
4222	●	Clear	Low binding

Plate Parameters

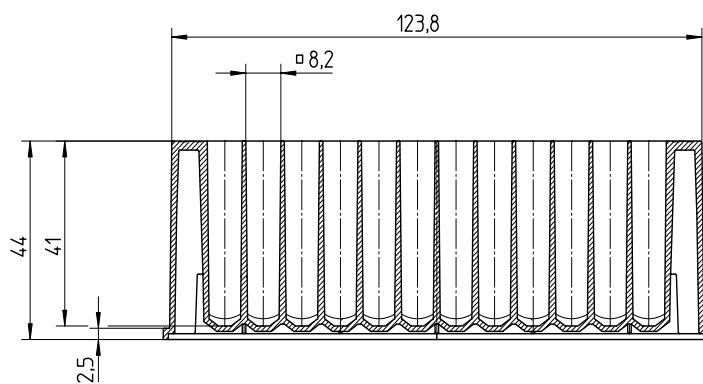
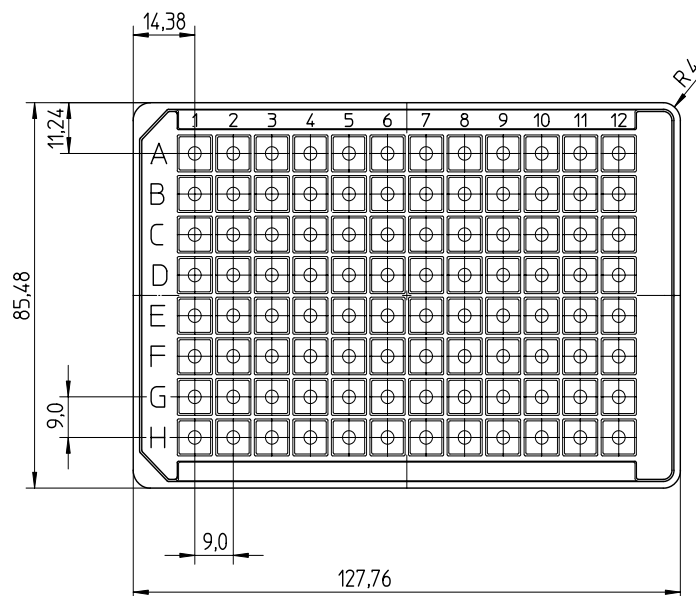
Composition:	Polypropylene
Well bottom:	U
Well shape:	Square

Dimensions (mm)

Bottom length:	127.76
Top length:	123.8
Corner well center from short sides:	11.24
Bottom width:	85.48
Corner well center from long sides:	14.38
Total height:	44.0
Distance between cell centers:	9.0
Internal well dimensions – top:	8.2
Well depth:	41.0
Maximum volume:	2000 μ l
Working volume:	50 μ l-2000 μ l

Packaging

40 plates per case



All dimensions are in millimeters.

© 2008 Thermo Fisher Scientific Inc. All rights reserved. All trademarks are the property of Thermo Fisher Scientific Inc. and its subsidiaries.

North America: Tel: 800.345.0206 | email: matrix.info@thermofisher.com

Europe: Tel: +44 (0) 161 486 2110 | email: matrix.eu.info@thermofisher.com

Asia: email: matrix.ap.info@thermofisher.com

www.thermo.com/matrix

P-2007-0074